

MicroMax

SENSING

ANALYSIS

DELIVERY

"Complete mixing package when paired with flow meter & analyzer"



MICROMAX OVERVIEW

The **MicroMax** features delivery of accurate FiO_2 mixtures from two outlet ports and has an overall flow range of 15-120 LPM (High Flow) and 3-30 LPM (Low Flow). Clinicians have the option to turn the bleed control to ON or OFF which provides a more quiet operation for NICU and PICU settings. When equipped with the Maxtec **BlenderBuddy 2**, the **MicroMax** provides users with a mixing package complete with a blender, 2 flow meters and an oxygen analyzer (*sold separately*).

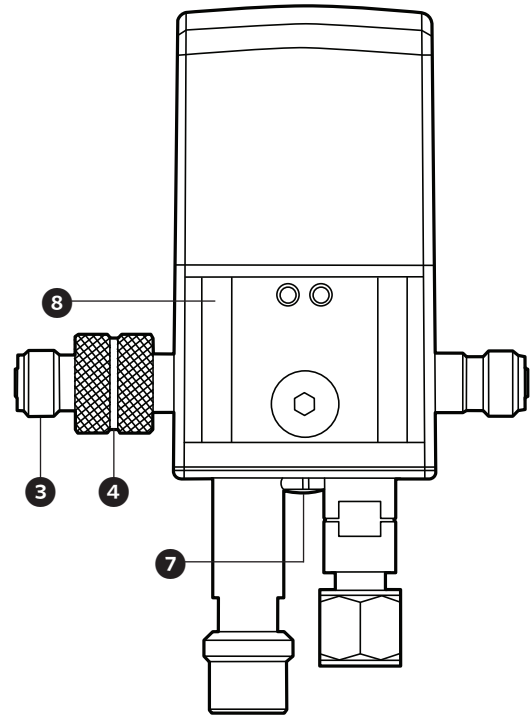
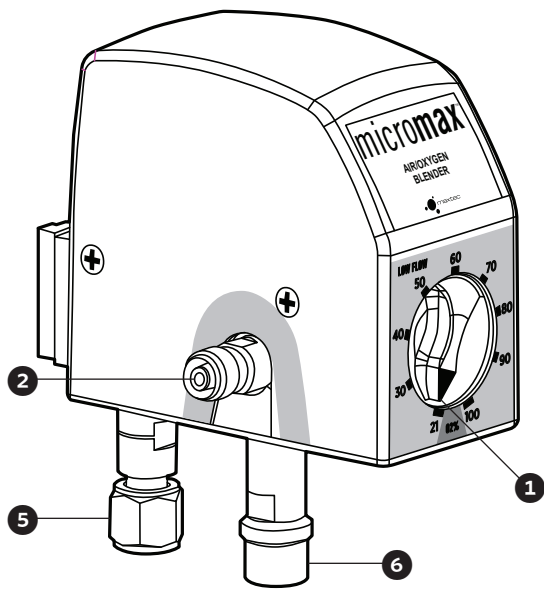
PART NUMBERS

DISS FITTINGS:

Low Flow [DISS] Fittings R203P13
High Flow [DISS] Fittings R203P14

NIST FITTINGS:

Low Flow [NIST] Fittings R203P13-001
High Flow [NIST] Fittings R203P14 -001



1. Oxygen Concentration Dial
For selecting oxygen concentrations

2. Primary Outlet Port
Male DISS fitting with check valve

3. Auxiliary Outlet Port
Male DISS fitting with bleed valve

4. Auxiliary Bleed Collar
Engage and disengage the bleed

5. Oxygen Inlet Fitting
Female DISS fitting with one way valve

6. Air Inlet Fitting
Male DISS fitting with one way valve

7. Alarm
Safe and reliable

8. Rear Slide Mount
With dove tail

Specifications

Dimensions	4.92" (D) x 2.25" (W) x 4.10" (H)
Weight	2.9lbs (1.3 kg)
Operating Temperature	59°F to 104°F (15°C to 40°C)
FiO2 Accuracy	±3% of full scale
Bypass Alarm Activation	High Flow: 13-25 psi, Low Flow: 18-22 psi
Primary Outlet Flow Range	15-120 lpm (High Flow) Low Flow: 3-30 lpm (Low Flow)
Auxillary Outlet Flow Range	2-100 lpm (High Flow) 0-30 lpm (Low Flow)
Bleed Flow (at 50 psi)	13 lpm or less (High Flow), 3 lpm or less (Low Flow)
Maximum Combined Flow	≥120 lpm (High Flow) ≥30 lpm (Low Flow)
No. of Primary Outlet Ports	1
No. of Auxillary Ports	1